

TOOaPICNIC



TOOaPICNIC

TOOaPICNIC is a serie of benches with a wide scope of applications. You can use them in offices, Activity Based Work (ABW) environments, restaurants, hotel lobbies and waiting areas.

The Dutch designers Jules Vreeswijk and Joost Waltjen have carefully built up the TOOaPICNIC serie. Each version has a specific application and therefore a unique look.

Especially in an Activity Based Work environment the furniture must be obvious. The function of furniture should not have to be explained and must invite to use. TOOaPICNIC can be expanded with various accessories such as an integrated power supply for laptops and mobile phones. Also optional is an extra large table top with which you can easily couple two TOOaPICNIC benches and create a 4-persons unit.



TOOaPICNIC

Model overview



TOOaPICNIC Share



TOOaPICNIC Chill



TOOaPICNIC Chill+



TOOaPICNIC Hide 110



TOOaPICNIC Hide 130



TOOaPICNIC Hide 160



TOOaPICNIC Hide 110 Throne



TOOaPICNIC Hide 110 Cozy



TOOaPICNIC Hide 110 Pure



TOOaPICNIC Hide 130 Throne



TOOaPICNIC Hide 130 Cozy



TOOaPICNIC Hide 130 Pure



TOOaPICNIC Hide 160 Cozy



TOOaPICNIC Hide 160 Pure



TOOaPICNIC Chill+ Throne



TOOaPICNIC Slim



TOOaPICNIC Slim+



TOOaPICNIC Cube



TOOaPICNIC Share Connected



TOOaPICNIC Chill Connected



TOOaPICNIC Chill+ Connected



TOOaPICNIC Hide 110 Connected



TOOaPICNIC Hide 130 Connected



TOOaPICNIC Hide 160 Connected



TOOaPICNIC Hide 110 Cozy Team



TOOaPICNIC Hide 110 Pure Team



TOOaPICNIC Hide 130 Cozy Team



TOOaPICNIC Hide 130 Pure Team



TOOaPICNIC Hide 160 Cozy Team



TOOaPICNIC Hide 160 Pure Team



TOOaPICNIC Power outlet



TOOaPICNIC Lamp



TOOaPICNIC Hangout



TOOaPICNIC

Power outlet



It is possible to equip the TOOaPICNIC with a single or double outlet. Shown here is a TOOaPICNIC Hide bench with a double outlet.

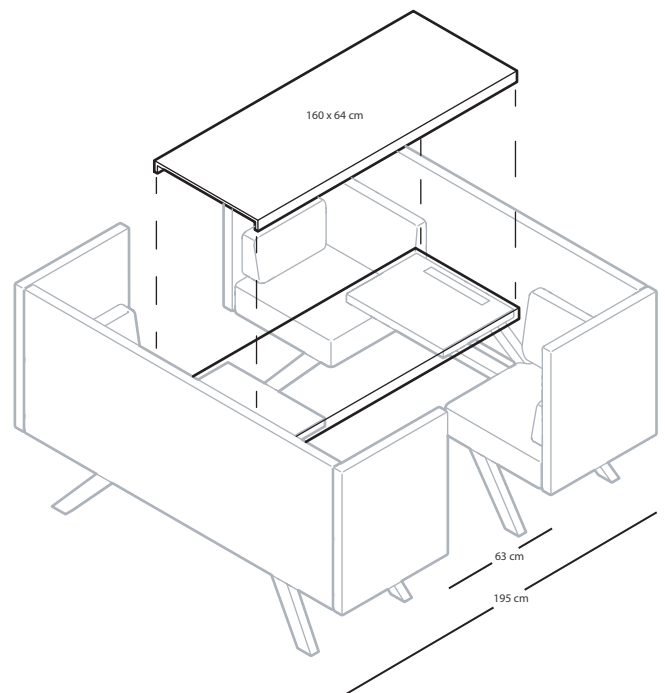
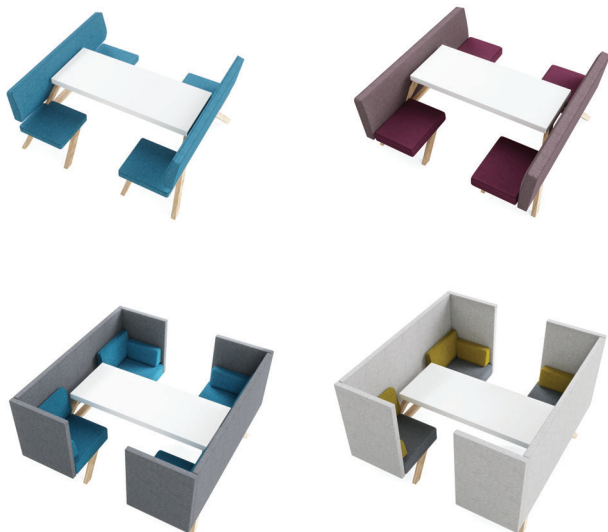
Available in black and white, with 230V or twin USB charger. Other models beside BEK, CHUKO and UK upon request.



TOOaPICNIC Connecting table



All models can be transformed easily into a TOOaPICNIC 4-person setup. For example, on the left you see the TOOaPICNIC Chill+ Connected, made from two TOOaPICNIC Chill+. You can put a 160 cm long connecting table top on the small tables and create an ideal place for a short meetings. This table is easily removed to create two smaller setups again.



TOOaPICNIC

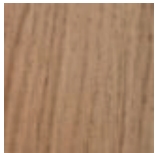
Lamp



The TOOtheZOO lamp fits on all TOOaPICNIC Hide and TOOtheLOUNGE products. It has a metal frame with white coating and a white fabric lampshade.



Materials frame



Natural oak



White oak



Dark oak

TOOaPICNIC frames are available in natural oak, white oak and dark oak.

Materials table top

Birch plywood with a white HPL top layer.

Upholstery

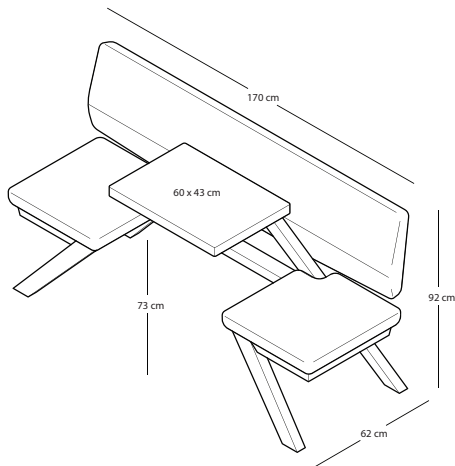
TOOaPICNIC is available in these fabric collections. Find the perfect fabric and color in the collections:

- Vescom.
- Vyva Fabrics.
- Kvadrat.
- Gabriel.
- Camira Fabrics.

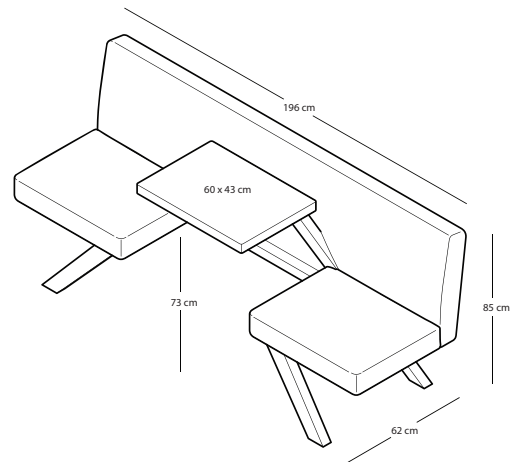


TOOaPICNIC

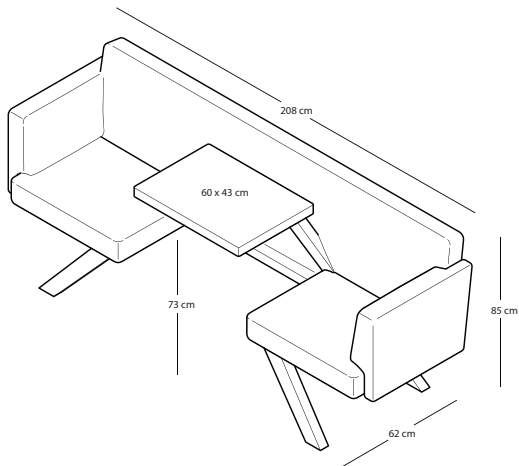
TOOaPICNIC Share



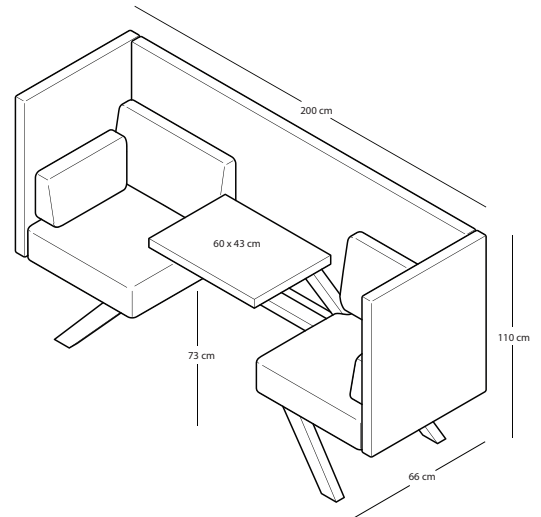
TOOaPICNIC Chill



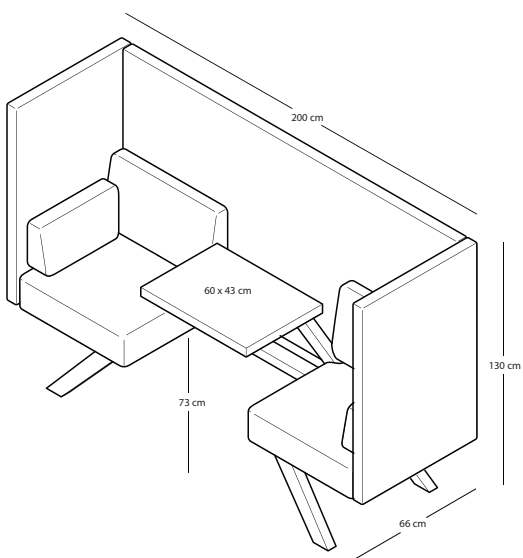
TOOaPICNIC Chill+



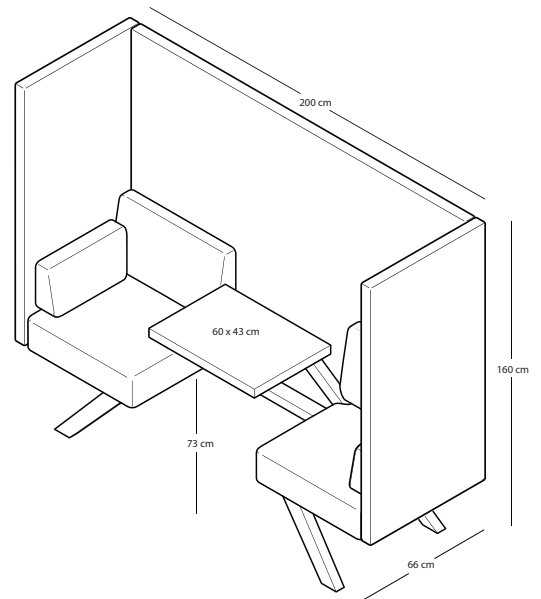
TOOaPICNIC Hide 110



TOOaPICNIC Hide 130

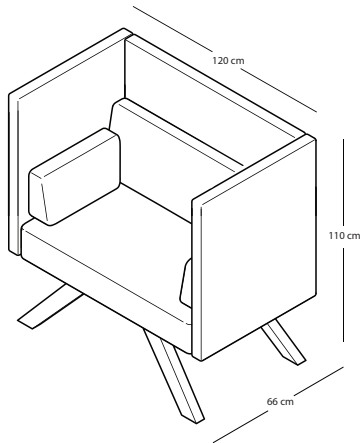


TOOaPICNIC Hide 160

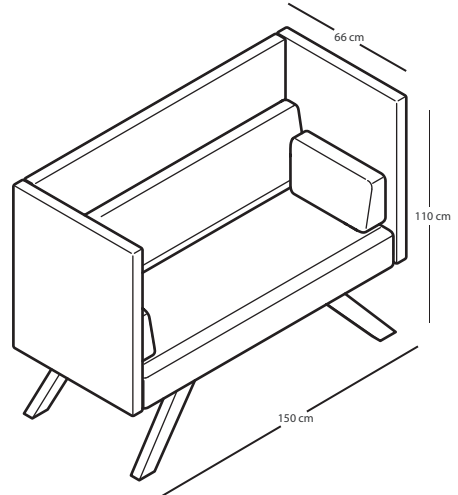


TOOaPICNIC

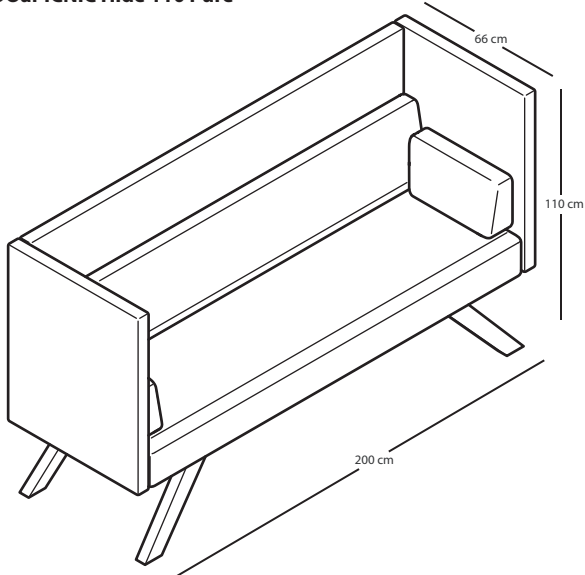
TOOaPICNIC Hide 110 Throne



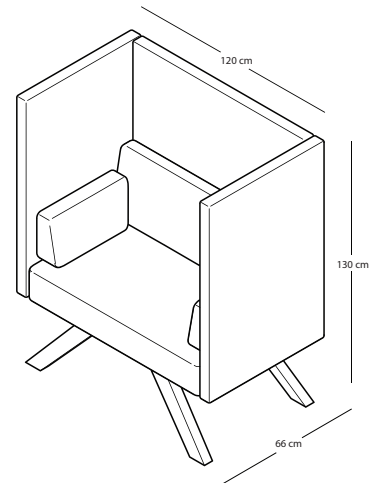
TOOaPICNIC Hide 110 Cozy



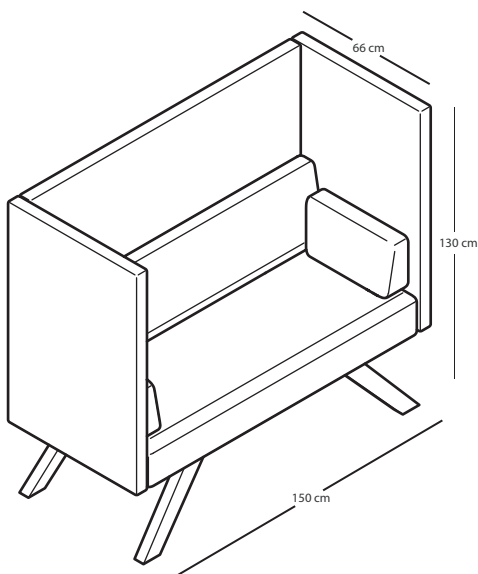
TOOaPICNIC Hide 110 Pure



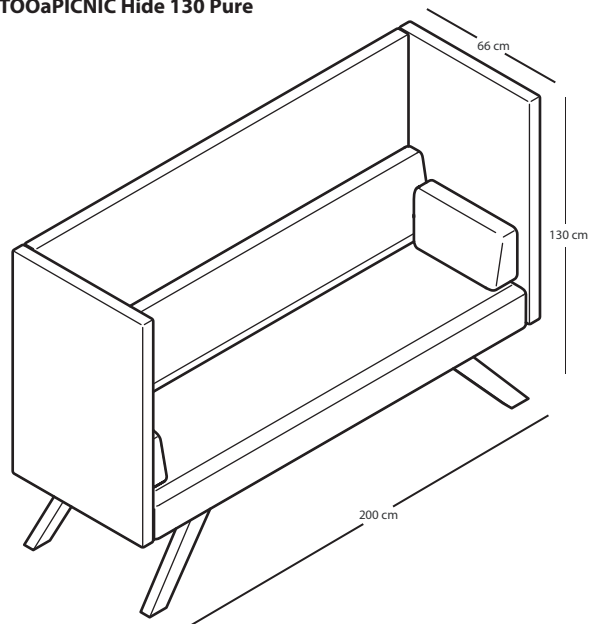
TOOaPICNIC Hide 130 Throne



TOOaPICNIC Hide 130 Cozy

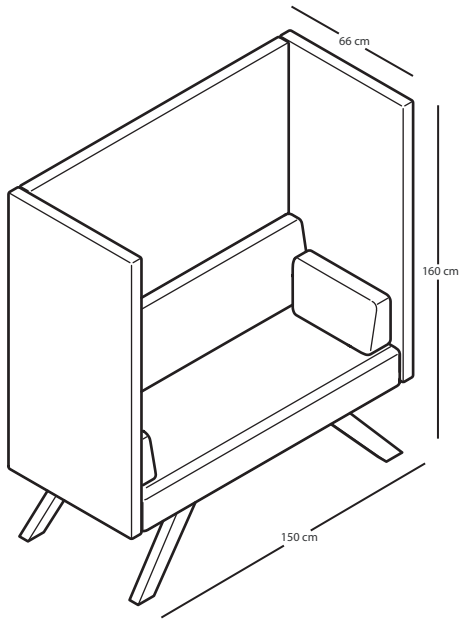


TOOaPICNIC Hide 130 Pure

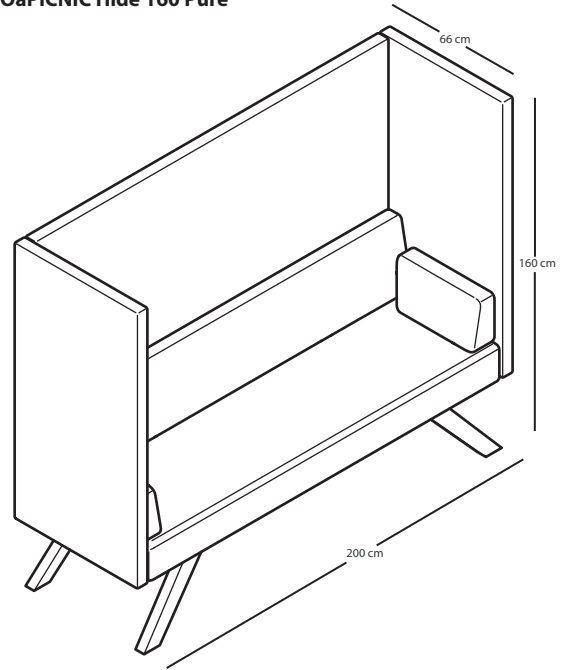


TOOaPICNIC

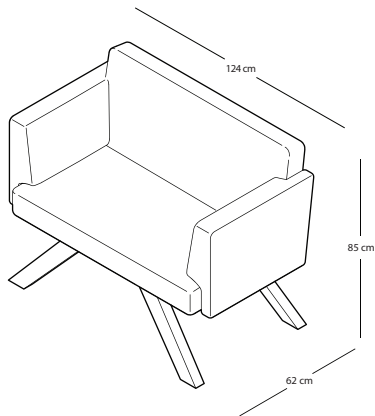
TOOaPICNIC Hide 160 Cozy



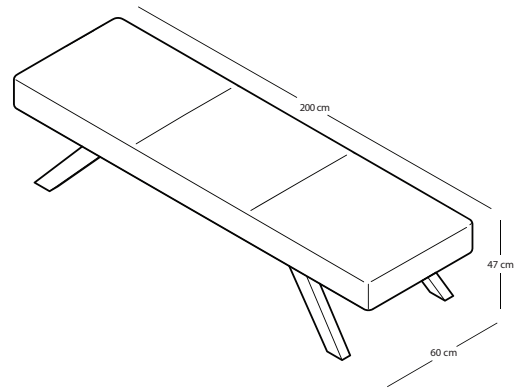
TOOaPICNIC Hide 160 Pure



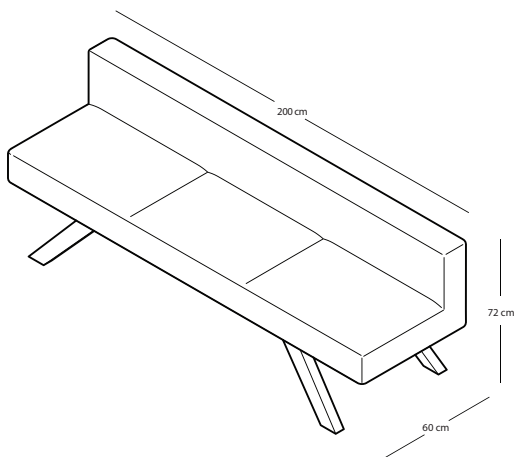
TOOaPICNIC Chill+ Throne



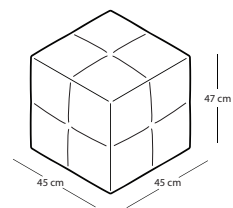
TOOaPICNIC Slim



TOOaPICNIC Slim+

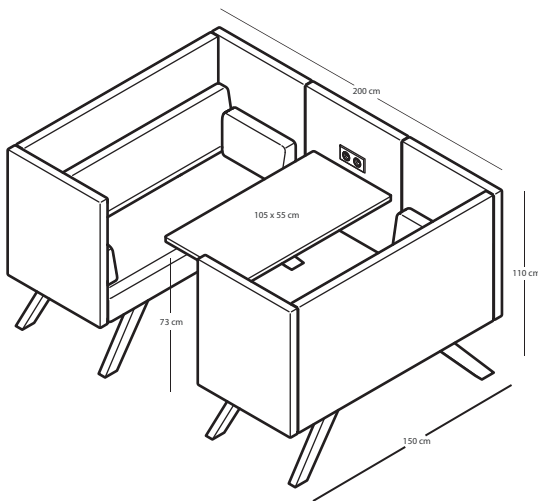


TOOaPICNIC Cube

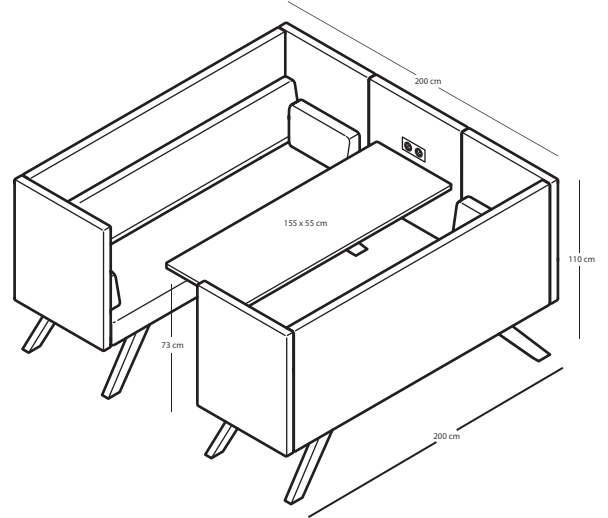


TOOaPICNIC

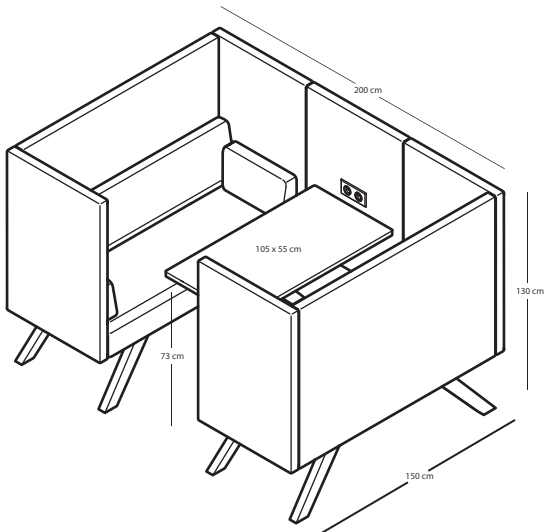
TOOaPICNIC Hide 110 Cozy Team



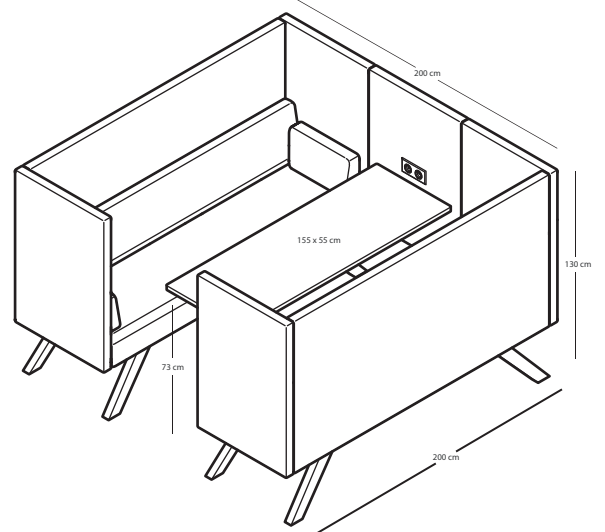
TOOaPICNIC Hide 110 Pure Team



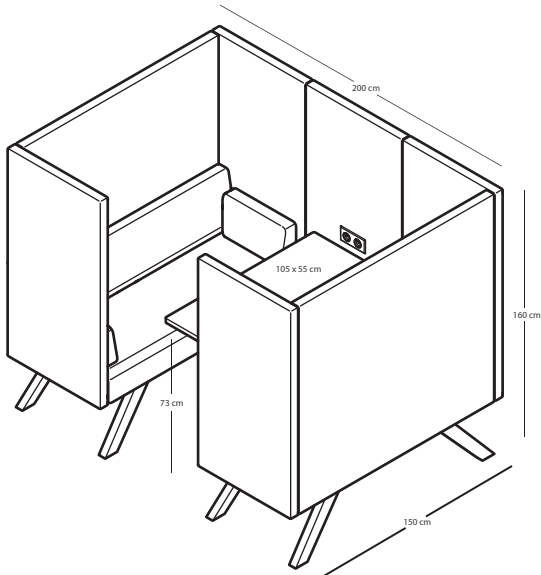
TOOaPICNIC Hide 130 Cozy Team



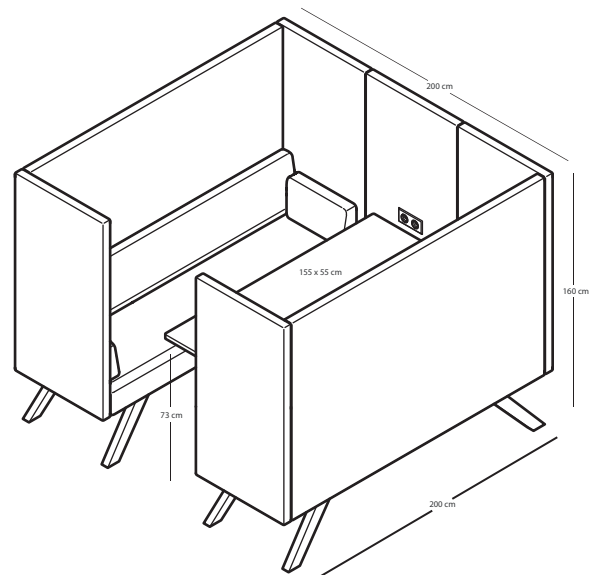
TOOaPICNIC Hide 130 Pure Team



TOOaPICNIC Hide 160 Cozy Team

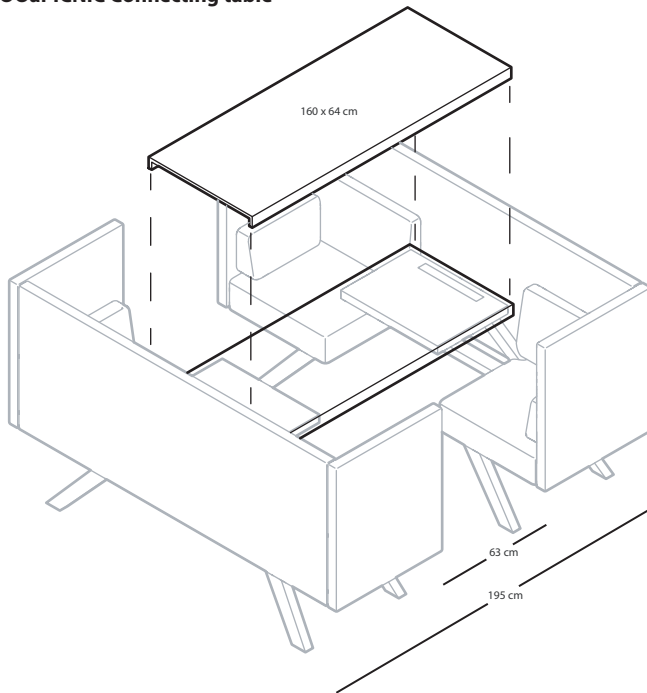


TOOaPICNIC Hide 160 Pure Team



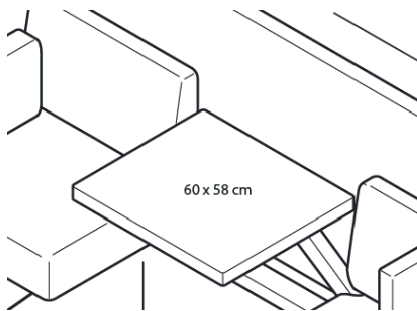
TOOaPICNIC

TOOaPICNIC Connecting table



All models can be transformed easily into a TOOaPICNIC 4-person setup. For example, on the left you see the TOOaPICNIC Hide 110 Connected, made from two TOOaPICNIC Hide 110. You can put a 160 cm long connecting table top on the small tables and create an ideal place for a short meetings. This table is easily removed to create two smaller setups again.

TOOaPICNIC Table top XL



All TOOaPICNIC Hide models can be equipped with a larger than standard table, measuring 60 cm in width and 58 cm in depth.

